



AIR HANDLING UNIT - AH1400



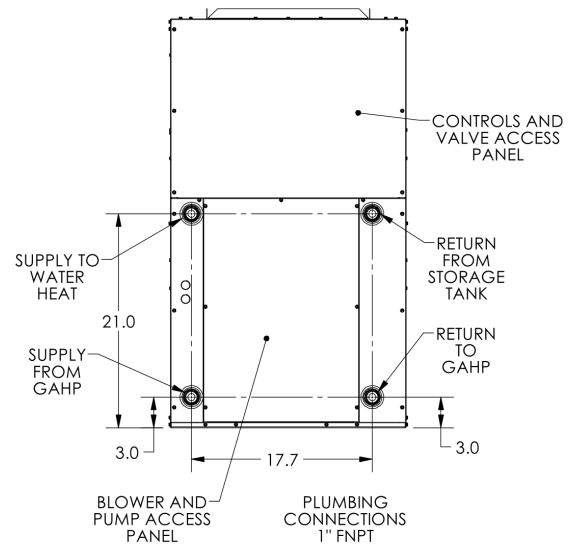
- Pairs with the Anesi HP80 Gas Heat Pump within the Anesi Comfort System
- Replaces and operates like a traditional natural gas or propane furnace, requiring only 1" hydronic connections inside the home
- Optional DHW with the Anesi IST80 Indirect Storage Tank
- Integrates with existing ductwork & AC coil
- Quiet operation with variable speed ECM blower
- Factory installed hydronic components include: hydronic pump, 3-way valve, glycol expansion tank, and glycol reserve tank
- Remote system monitoring for homeowners and installation professionals
- Proprietary control algorithm ensures maximum comfort and energy efficiency
- Flexible return air direction: sides or bottom
- Compatible with most conventional 24V thermostats
- Uses existing furnace circuit: 115VAC / 15A

TECHNICAL DATA	UNIT	VALUE
Coil Capacity*	BTU/h	65,000
Water Flow Rate	gpm/lpm	8.5/32.2
Max Supply Water Temp (@8 gpm)	° F/C	180/82
Supply Water Temp	° F/C	125/52
Blower Air Flow (min-max)	cfm/lpm	500-1,400/14,158-39,644
Hydronic Line Type	PEX (O ₂ barrier) or Copper	
Hydronic Pressure Drop (Nominal)	psi/kPa/FH	5.0/34.5/11.5
Glycol Reserve Volume	gal/L	3/11.4
Voltage	VAC	115
Maximum Power	Amp	8
Min Circuit Breaker Power	Amp	15
Length	in/cm	33.5/85.1
Width	in/cm	23/59
Height	in/cm	41.6/105.7
Weight	lbs/kg	210/95.3
Hydronic Connections FNPT - dia	in/cm	1/2.5
Return Air Connections - width x length	in/cm	14/35.6 x 20/50.8
Supply Duct Connection (vertical up - top only**) - width x length	in/cm	16/40.6 x 18/45.7
CTA2045 Compliance	Future release	
Communications Capabilities	MODBUS to HP80 (cellular)	
Certification	ETL per: UL 60335-2-40/CSA C22.2 No. 60335-2-40 UL 60335-1/CSA C22.2 No.60335-1	

* Performance at 125° F hydronic supply temperature, 68° F return air temperature, and 1400 cfm air flow
 **Downflow and horizontal flow supply air configurations will be available in future releases



Technical data subject to change



Intertek

